


ANT S.r.l. Via della Concordia, 4 – 37036 S. Martino B/A (VR) - Italia Tel. +39 045 8781380 Fax +39 045 8795335 e-mail: commerciale@antsrl.eu www.antsrl.eu	DESCRIPTION	
	1/2 wave dipole antenna with insulated base Omnidirectional antenna with radiating elements insulated from the outside of the antenna radome. Threaded base (over 6mm thick) for mounting on Ø13 mm hole. Optional bracket for pole/wall mounting. RG316 cable with SMA plug connection	

LEVANTER WIFI 2.4–5 (no bracket)
LEVANTER-ST WIFI 2.4–5 (w/ bracket)

P/N: L06-000

P/N: L06-002

ELECTRICAL DATA

Frequency range (VSWR <1.5:1)	2400-2500 MHz
Frequency range (VSWR <2.5:1)	5100-5900 MHz
Impedance:	50 Ω
V.S.W.R.:	< 1.5 : 1
Max power:	10 W
Polarisation:	Linear
Radiation:	Omnidirectional
Gain:	>2.5 dBi

MECHANICAL DATA

Dimensions (approximate):	Ø30x60 mm
Weight (approximate):	0.050 kg
Connector:	SMA plug (other or endcut cable on request)
Cable L06-000:	RG316 0.1 (other on request)
Cable L06-002:	Low loss 3m (other on request)
Operating temperature range:	-35° / +80°C
Radiating element material:	Copper
Screws:	Stainless steel
Bracket:	Only on Levanter-ST version
IP:	IP67

MOUNTING ON BOX



ON WALL



ON POLE



Insulated antenna: The antenna is galvanically insulated from its mounting support (box, pole or wall).

Watertight sealed: The antenna is IP67 also when mounted directly on box.

Protection against oxydation: The antenna is designed to withstand the worst climatic conditions and so that the oxydation of its parts is prevented, with the plastic parts being made of raw materials resistant to external environmental agents.

Protection against accidental hits: The antenna is designed so that persons are protected from accidental hits against its projecting parts, without any sharp edges

RoHS Directive: The antenna complies with the RoHS Directive and its subsequent

MOUNTING INSTRUCTIONS:

On box:

- Please drill a Ø13 mm hole in the box (with max thickness 6 mm, higher on request)

On pole:

- Please fix the bracket with stainless steel band of 9mm height.

On wall:

- Please use proper Fischer inserts for wall mounting.

WARNING:

The antenna is isolated from its mounting support), however its performances may still be influenced by metallic or non metallic objects in its proximity.

ANT S.r.l.

Via della Concordia, 4 – 37036
S. Martino B/A (VR) - Italia
Tel. +39 045 8781380
Fax +39 045 8795335
e-mail: commerciale@antsrl.eu
www.antsrl.eu

DESCRIPTION

1/2 wave dipole antenna with insulated base
Omnidirectional antenna with radiating elements insulated from the outside of the antenna radome.
Threaded base (over 6mm thick) for mounting on Ø13 mm hole. Optional bracket for pole/wall mounting.
RG316 cable with SMA plug connection



LEVANTER WIFI 2.4–5 (no bracket)
LEVANTER-ST WIFI 2.4–5 (w/ bracket)

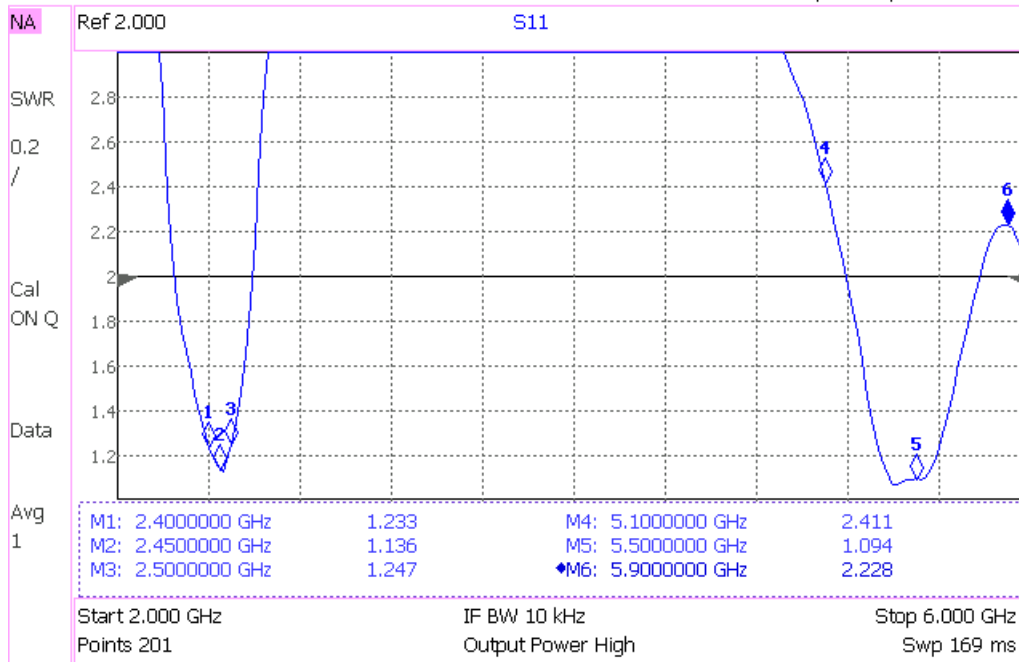
P/N: L06-000

P/N: L06-002

VSWR

Keysight Technologies

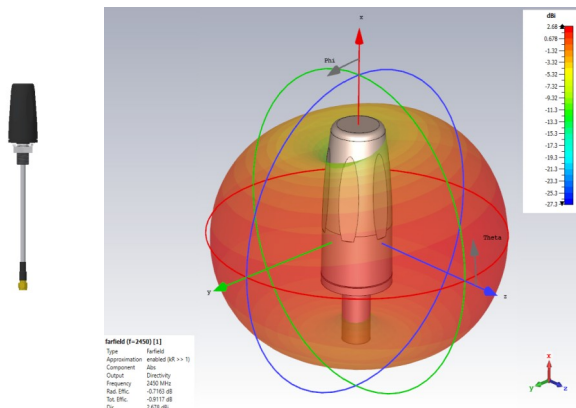
Tue, 01 Sep 2020 16:48



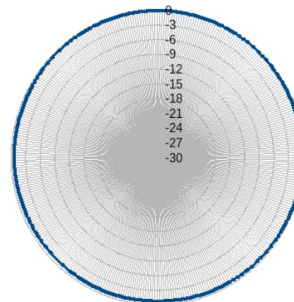
Radiating Patterns

Antenna without bracket at 2.45GHz

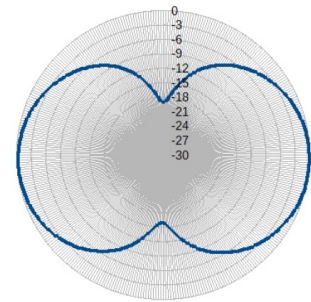
3D Simulation



H-Plane



E-Plane



ANT S.r.l. si riserva di apportare modifiche e miglioramenti in qualsiasi momento senza obbligo di preavviso
ANT S.r.l. reserves the right to change or improve this documentation at all times and without notice.

ENG-Rev. 4

ANT S.r.l.

Via della Concordia, 4 – 37036
S. Martino B/A (VR) - Italia
Tel. +39 045 8781380
Fax +39 045 8795335
e-mail: commerciale@antsrl.eu
www.antsrl.eu

DESCRIPTION

1/2 wave dipole antenna with insulated base
Omnidirectional antenna with radiating elements insulated from the outside of the antenna radome.
Threaded base (over 6mm thick) for mounting on $\varnothing 13$ mm hole. Optional bracket for pole/wall mounting.
RG316 cable with SMA plug connection



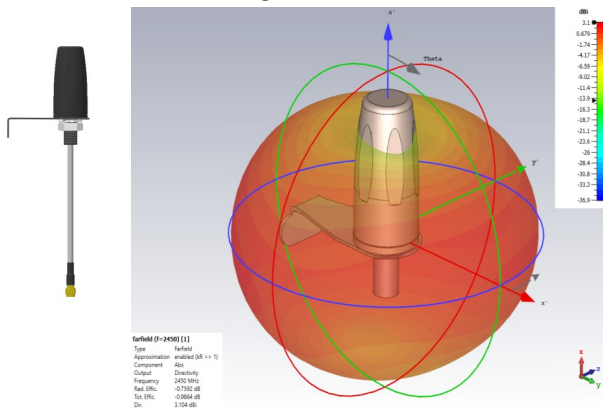
LEVANTER WIFI 2.4–5 (no bracket)
LEVANTER-ST WIFI 2.4–5 (w/ bracket)

P/N: L06-000

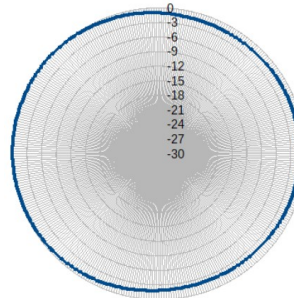
P/N: L06-002

Antenna with bracket at 2.45GHz

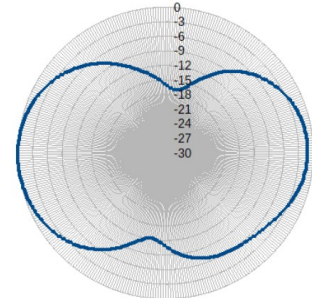
3D Simulation



H - Plane

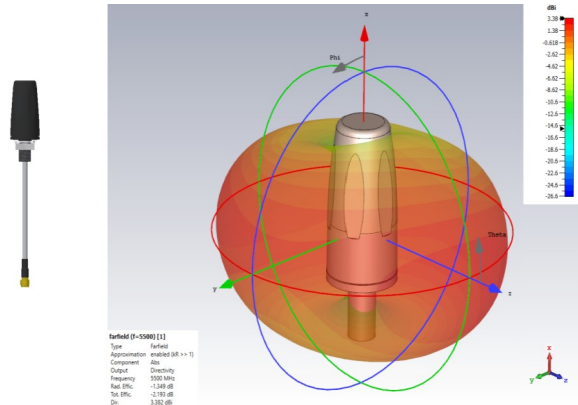


E - Plane

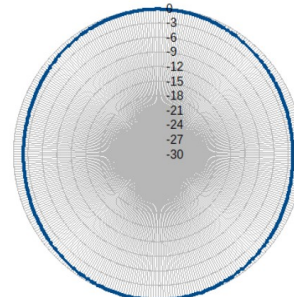


Antenna without bracket at 5.5GHz

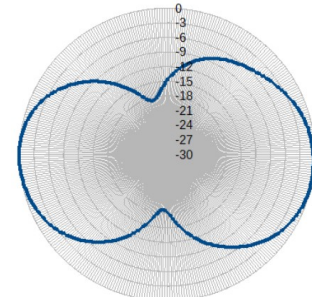
3D Simulation



H - Plane

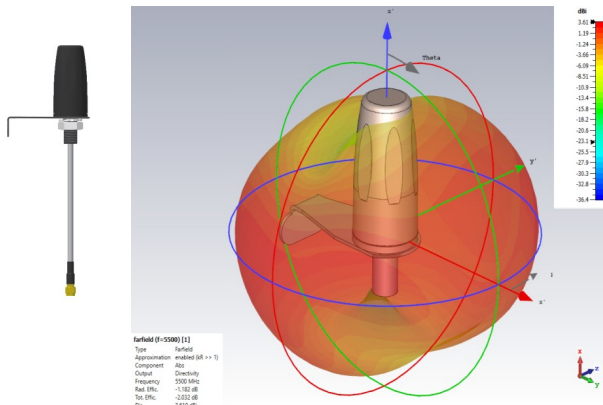


E - Plane

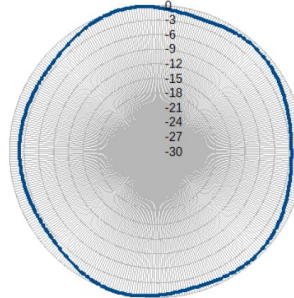


Antenna with bracket at 5.5GHz

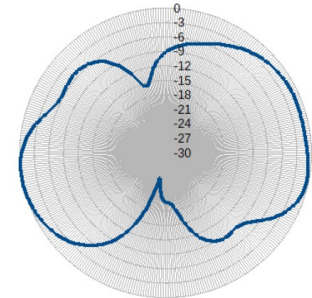
3D Simulation




H - Plane



E - Plane

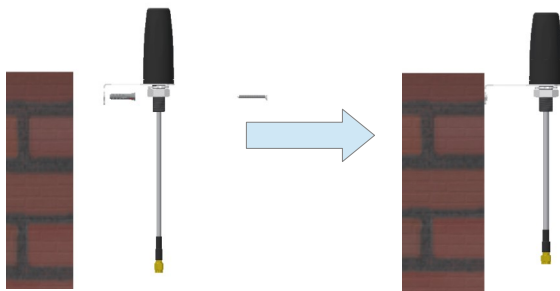


ANT S.r.l. si riserva di apportare modifiche e miglioramenti in qualsiasi momento senza obbligo di preavviso
ANT S.r.l. reserves the right to change or improve this documentation at all times and without notice.

ANT S.r.l. Via della Concordia, 4 – 37036 S. Martino B/A (VR) - Italia Tel. +39 045 8781380 Fax +39 045 8795335 e-mail: commerciale@antsrl.eu www.antsrl.eu	DESCRIPTION	
	1/2 wave dipole antenna with insulated base Omnidirectional antenna with radiating elements insulated from the outside of the antenna radome. Threaded base (over 6mm thick) for mounting on Ø13 mm hole. Optional bracket for pole/wall mounting. RG316 cable with SMA plug connection	

LEVANTER WIFI 2.4–5 (no bracket)
LEVANTER-ST WIFI 2.4–5 (w/ bracket)

WALL MOUNTING

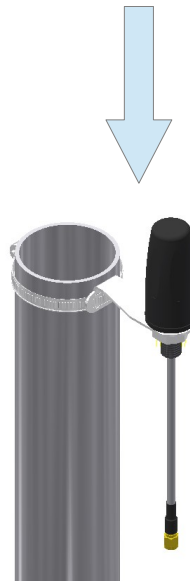


WARNING:
Please use Fischer inserts (not included)

P/N: L06-000

P/N: L06-002

POLE MOUNTING



WARNING:
Please use the supplied stainless steel band (different options of bands dependig on pole diameter are available)

ITS NAME:

*The **Levanter** is an easterly wind blowing in the western Mediterranean Sea, especially in the Strait of Gibaltar. It is usually accompanied by clouds, fog and sometimes rain, mostly during the winter.*